



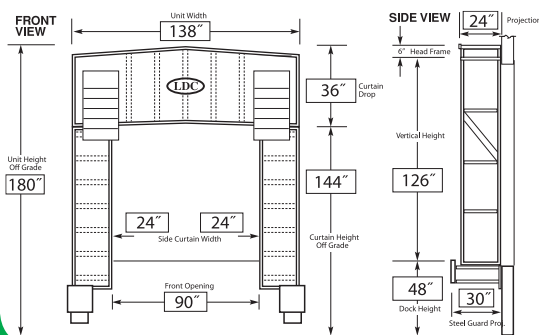
SERIES D400 Stationary Truck Shelter

BENEFITS

- ▶ **SAVE** hundreds of dollars in reduced energy costs
- ▶ **IMPROVE** working conditions by keeping dust, dirt, debris & insects out
- ▶ **PROTECT** product & personnel from harsh weather conditions
- ▶ **INCREASE PRODUCTIVITY** by providing a safe & comfortable working environment
- ▶ **DURABLE** range of Hi-Performance fabrics to choose from
- ▶ **CUSTOM** sizes available



SPECIFICATIONS

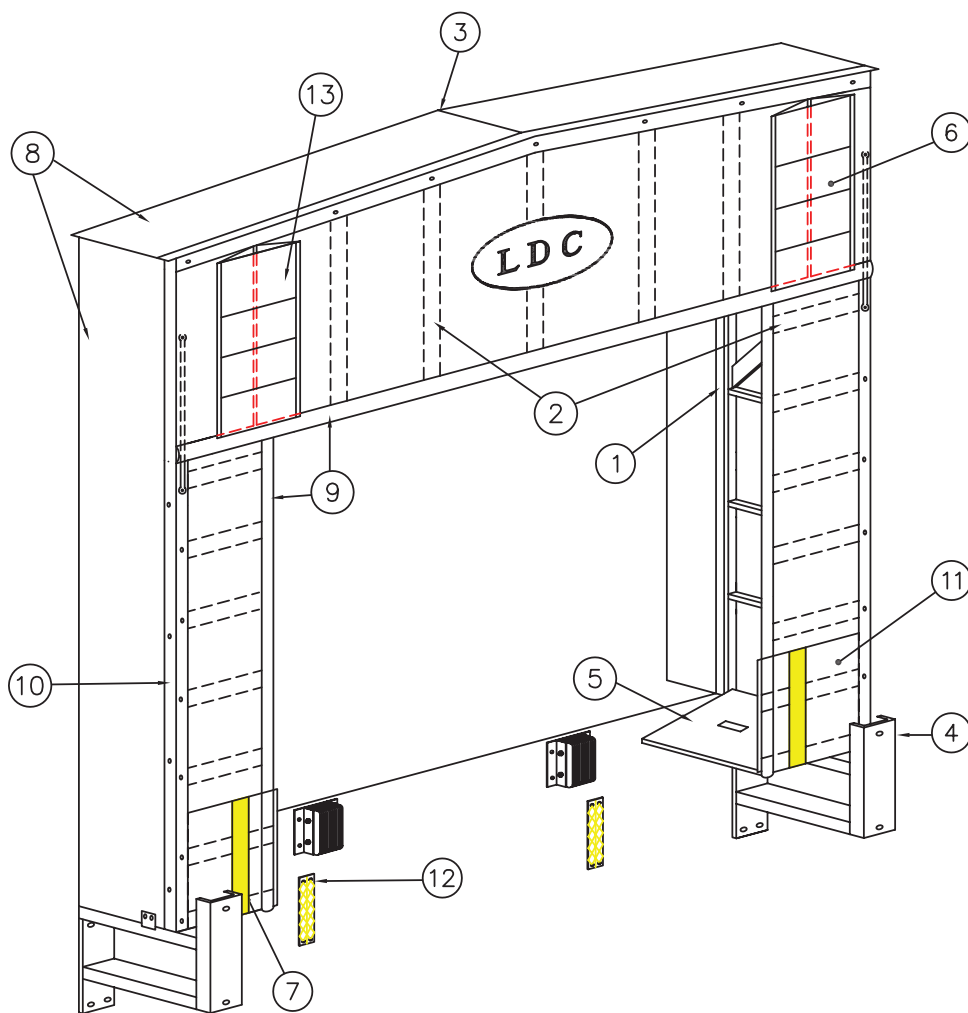


Generally designed to suit 10' wide x 10' high openings. The series D400 provides full access to the rear of the trailer while creating a tight seal against the top and sides of the truck.

Wear flaps are located on the head curtain at the contact areas and a double layer of fabric is sewn onto the bottom 24" of the side curtains for added reinforcement.

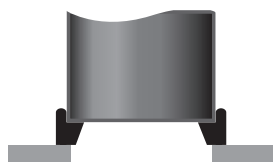
With one of the largest selections and colours of fabrics available, LDC can offer the ideal solution for your unique loading dock requirements.

LDC offers a wide variety of custom shelters to satisfy your dock requirements



- 1 Pressure treated framing resists rot (optional galvanized frame available)
- 2 Stiffeners in head & side curtains help to maintain constant pressure against trailer ensuring a tight seal
- 3 Raked head frame diverts water to sides
- 4 Protective steel guards
- 5 Replaceable foam bottom pads seal gap between truck and building
- 6 Protective wear flaps on head curtain help to extend life of unit
- 7 24" yellow guides ensure accurate placement of trucks
- 8 Translucent polyethylene sheeting with UV inhibitors allows light into loading dock area
- 9 Foam filled edge creates a complete seal against truck
- 10 Galvanized trim angle will not rust
- 11 Double layer of protective fabric on bottom 24" of side curtains
- 12 Optional "REFLECTIVE GUIDES" to protect your investment
- 13 Optional Gusset available (strongly recommended)

CUSTOMIZE YOUR DOCK TO SUIT YOUR SPECIFIC NEEDS



(Top View)

Conventional foam pads protect against weather, but restricts access to the trailer opening.



(Top View)

LDC's D400 shelter provides full access to the rear of the trailer.

LDC can customize your dock seal with the ideal fabric for your application from a wide range of colours and fabrics available.

22 oz Hi-Tear Vinyl



32 oz Hi-Tear Vinyl



40 oz Hi-Tear Vinyl



Hi-Performance Arctic Seal (NEW)



16 oz Hi-Tear Hypalon



40 oz Hi-Performance Hypalon



AUTHORIZED DEALER

LOADING DOCK COMPANY (LDC) LTD.

1090 Aerowood Dr., Units 2-4

Mississauga, ON L4W 1Y5

Phone 905.566.0157 Fax 905.566.8003

Toll Free **866.864.5265**

www.loadingdockcompany.com

