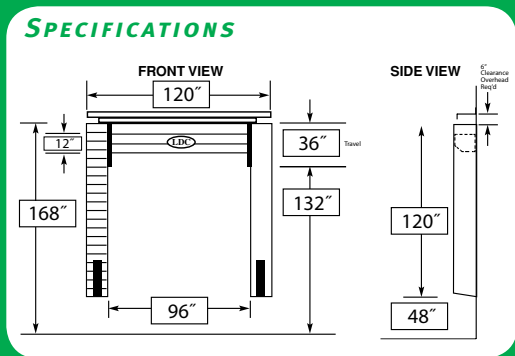




# **SERIES D300** Adjustable Head Pad Dock Seal

## **BENEFITS**

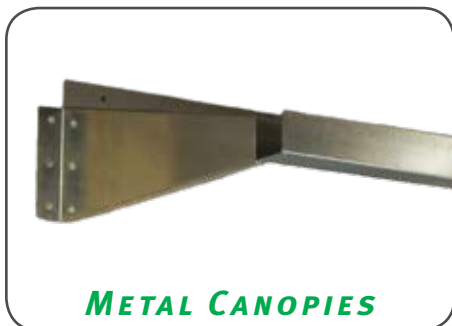
- ▶ **SAVE** hundreds of dollars in reduced energy costs
- ▶ **IMPROVE** working conditions by keeping dust, dirt, debris & insects out
- ▶ **PROTECT** product & personnel from harsh weather conditions
- ▶ **INCREASE PRODUCTIVITY** by providing a safe & comfortable working environment
- ▶ **DURABLE** range of Hi-Performance fabrics to choose from
- ▶ **CUSTOM** sizes available



Generally designed to suit 8' wide x 10' high openings. The series D300 is used on higher door openings when a variety of trailer heights are being serviced.

Two foam side pads seal the gap between the building wall and the truck while a foam head pad that can be raised and lowered on a track and roller system creates a tight seal at the top of the truck. A torsion spring with an integral follower curtain ensures a complete seal.

# LDC offers a wide variety of custom products to satisfy your dock requirements

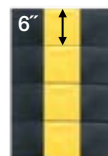


## WEAR FLAPS PROVIDE EXTRA PROTECTION

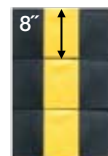
To maximize long term performance of your dock seal, overlapping flaps can be applied to the full height of the side pads. The wear flaps will absorb the added abrasion that occurs at high wear areas. Wear flaps are available with 4", 6" or 8" exposure. Available in a wide range of fabrics and colours.



4" EXPOSURE



6" EXPOSURE



8" EXPOSURE

## CUSTOMIZE YOUR DOCK TO SUIT YOUR SPECIFIC NEEDS



INCLINE APPROACH



BEVELED PADS  
(Top View)



DECLINE APPROACH

LDC can customize your dock seal with the ideal fabric for your application from a wide range of colours and fabrics available.

22 oz Hi-Tear Vinyl



32 oz Hi-Tear Vinyl



40 oz Hi-Tear Vinyl



Hi-Performance Arctic Seal



16 oz Hi-Tear Hypalon



40 oz Hi-Performance Hypalon



AUTHORIZED DEALER

LOADING DOCK COMPANY (LDC) LTD.

1090 Aerowood Dr., Units 2-4

Mississauga, ON L4W 1Y5

Phone 905.566.0157 Fax 905.566.8003

Toll Free 866.864.5265

[www.loadingdockcompany.com](http://www.loadingdockcompany.com)

